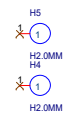
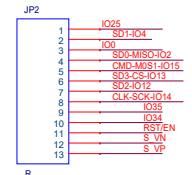
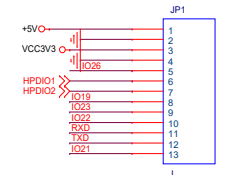
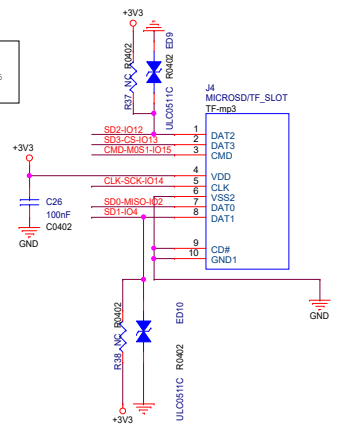
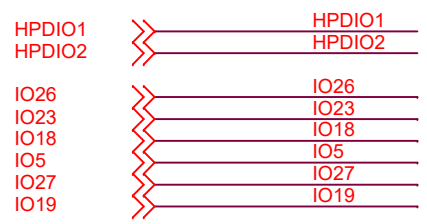
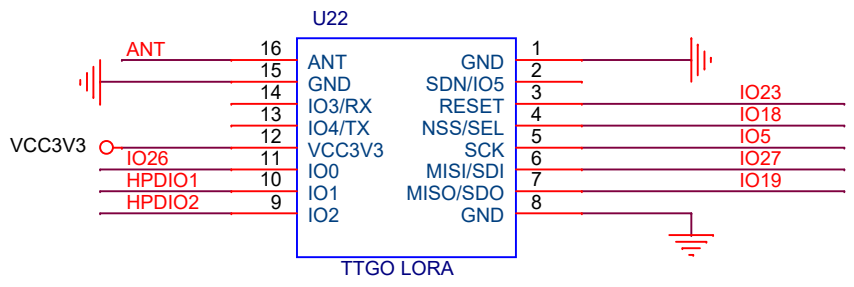
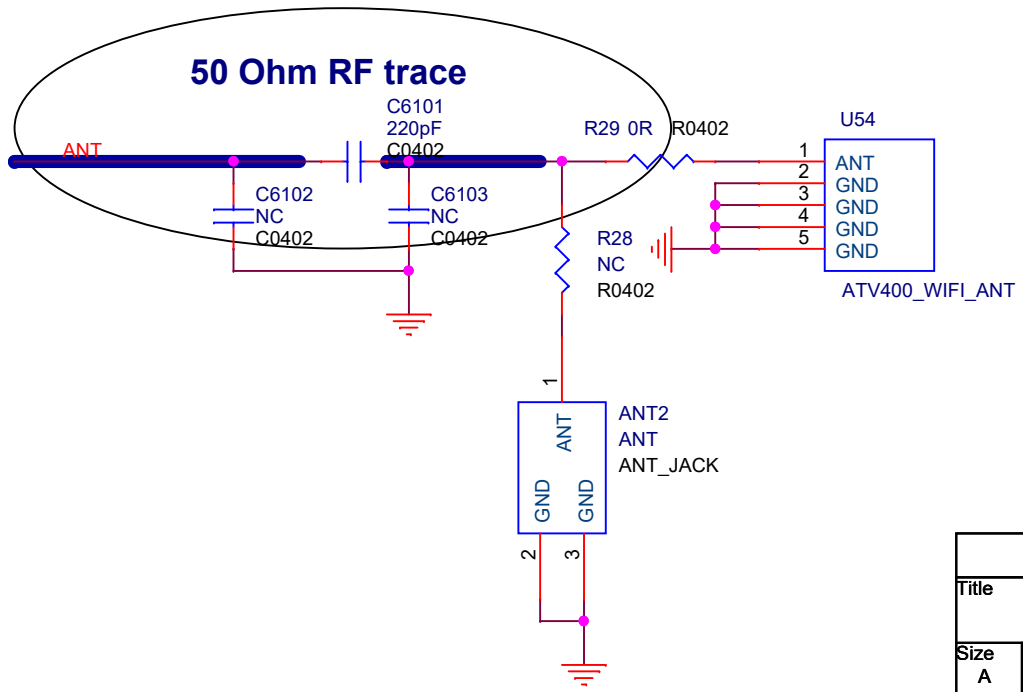


TF卡接法
 SD3-CS-1013
 CMD-MST-1015
 CLK-SCK-1014
 SD0-MISO-102



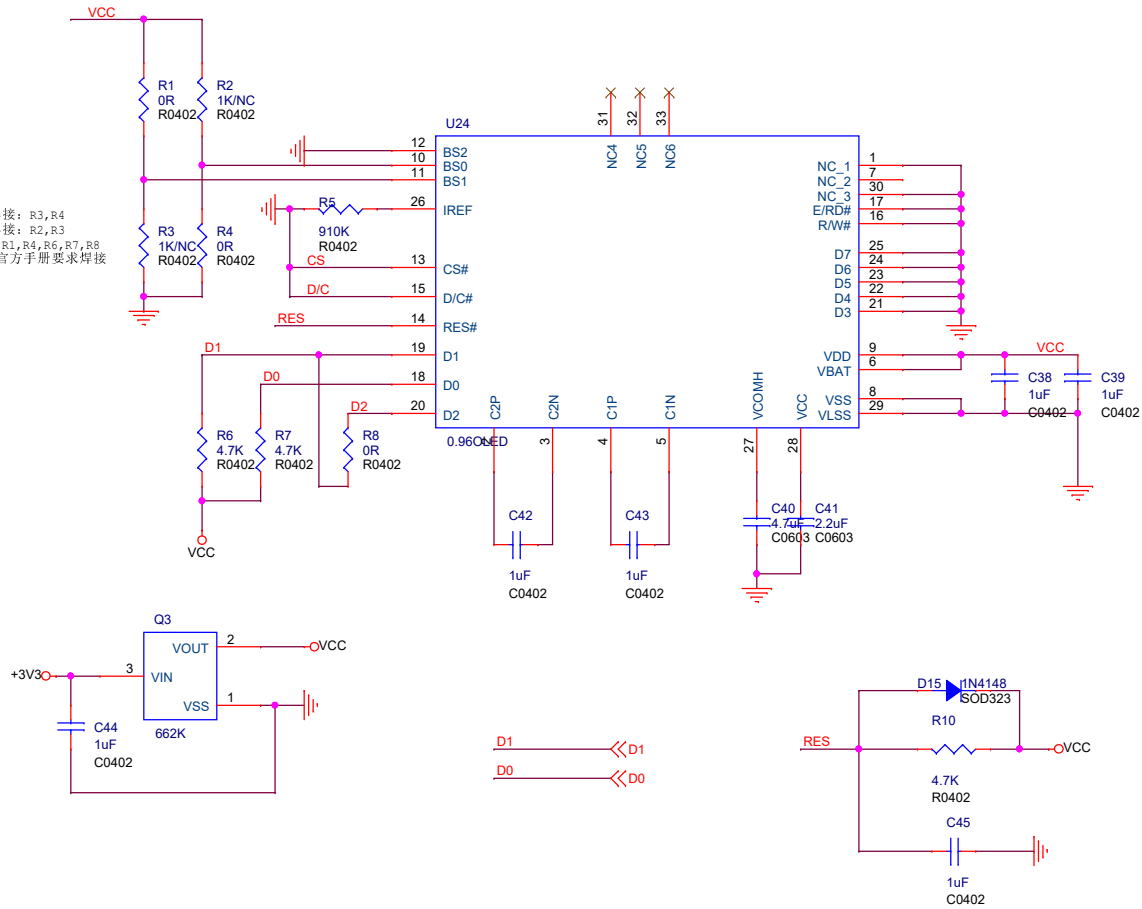


IO23=RESET
 IO18=NSS/SEL
 IO5=SCK
 IO27=MOSI/SDI
 IO19=MISO/SDO
 IO26=DI0/IO0



Title		
T3_V1.6		
Size	Document Number	Rev
A	TTGO LORA	V1.6
Date:	Wednesday, January 16, 2019	Sheet 2 of 4

接口配置方法：
 四线SPI接口焊接：R3,R4
 三线SPI接口焊接：R2,R3
 IIC接口焊接：R1,R4,R6,R7,R8
 R8 可不焊接，官方手册要求焊接



Title		
T3_V1.6		
Size	Document Number	Rev
B	OLED	V1.6
Date:	Wednesday, January 16, 2019	Sheet 3 of 4

